

CXB-71 series *Robustness*

Incremental Encoder



■ *Special features* :

- ▶ Robust design for high vibration and shock resistance
- ▶ Advanced high-reliability optical reading system, good performance in electromagnetic compatibility
- ▶ Overvoltage, overcurrent, surge protection
- ▶ HTL or TTL
- ▶ 5VDC、9-30VDC, Single power supply, polarity protection
- ▶ IP 65
- ▶ 2 years warranty

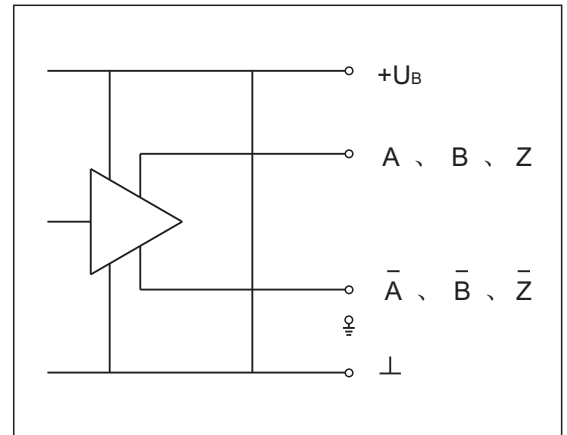
■ *Product application*:

- ▶ Applicable for displacement and velocity measurement of heavy equipments under harsh environment

■ Electrical Specification

| | |
|----------------------------------|--|
| Cycles per turn | 500 512 600 1000 1024 1200 1500 2000 2048 |
| Out frequency | 120KHz |
| Rise time | $\leq 10V/\mu s$ |
| Supply voltage U_B | +9V~+30V or +5V |
| Current consumption at no-load | $\approx 100mA$ |
| Out voltage ($U_B=24V$) | $U_L \leq 1.5V; U_H \geq U_B - 3.5V$ |
| Maximum load current per channel | 60mA/ average ; 200mA/ peak |
| Mark space ratio | 1:1 $\pm 20\%$ |
| Square wave displacement | 90° $\pm 20\%$ |

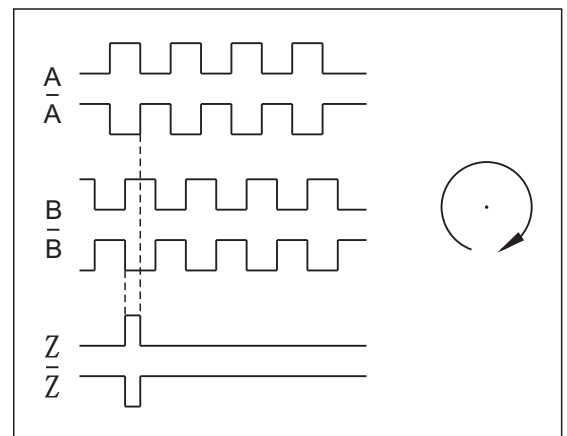
■ Output Circuit



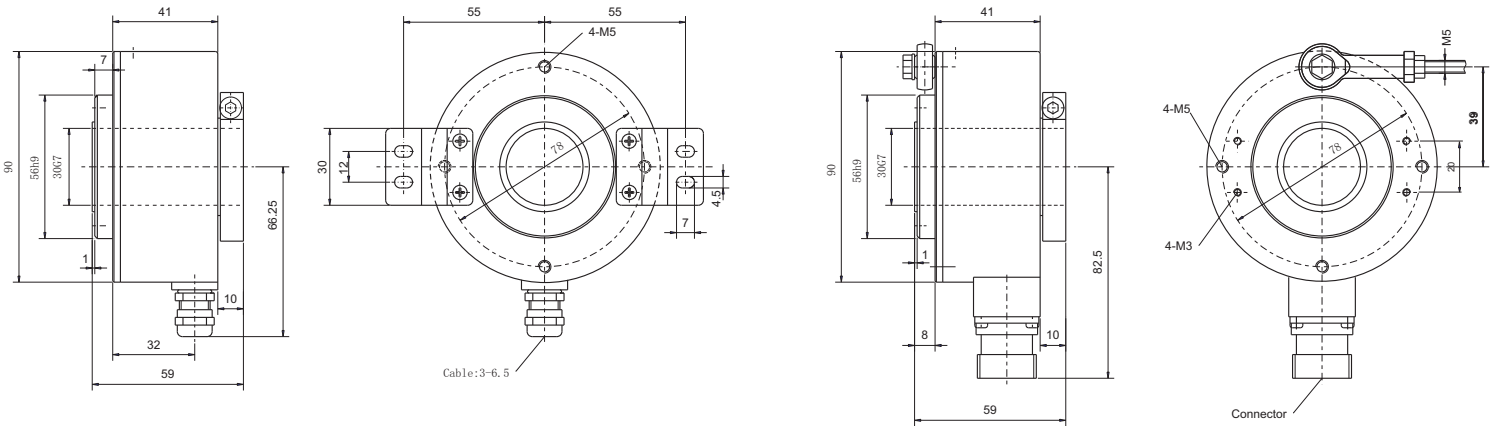
■ Mechanical Specification

| | |
|---------------------------------|-----------------------------------|
| Hollow shaft diameter | $\phi 12 \sim 30$ Stainless steel |
| Moment of inertia | $\approx 500 gcm^2$ |
| Speed max | $\leq 4000 r/min$ |
| Driving torque | $\approx 0.06 N \cdot m$ |
| Maximum shaft load | Axial 50N; radial 80N |
| Vibration resistance | $\leq 10G/55 \sim 2000Hz$ |
| Shock resistance | $\leq 100G/6ms$ |
| Permissible encoder temperature | -40°C ~ +85°C |
| Protection class | Ip65 |
| Weight | $\approx 0.9Kg$ |

■ Output Signals



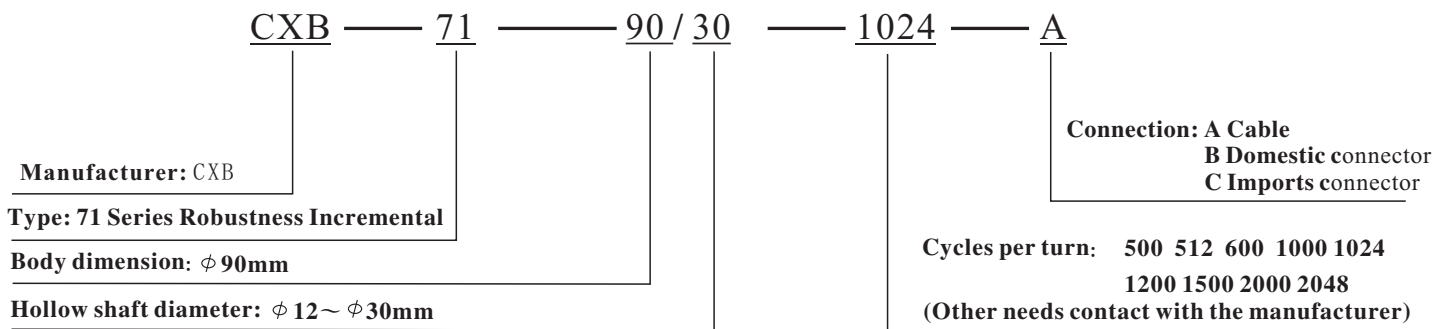
■ Dimensions



■ CONNECTION

| 颜色 Colour | 红 RED | 黑 BLK | 棕 BRN | 蓝 BLU | 灰 GRA | 黄 YEL | 绿 GRN | 白 WHT | 屏蔽线 SHLD |
|--------------|----------|----------|----------|----------|----------|-----------|-----------|-----------|-------------|
| 编号 Pin | 1 | 2 | 3 | 4 | 5 | 6 | 7 | 8 | 9 |
| 信号 Signal | +Vd c | 0 V | A | B | Z | \bar{A} | \bar{B} | \bar{Z} | Body |

■ Ordering Information



Remarks: Technical modifications reserved.

■ Guarantee

2 years warranty within the conditions of Normal use and maintenance.



深圳市英科達光電技術有限公司
 Shenzhen ENCODER Optics-Electronics Technology Co., Ltd
 Tel: +86-0755-26683042; Fax: +86-0755-26686503
 E-mail: support@sz-encoder.com