

CXB-61 series *Robustness*

Incremental Encoder



■ *Special features :*

- ▶ Robust design for high vibration and shock resistance
- ▶ Advanced high-reliability optical reading system, good performance in electromagnetic compatibility
- ▶ Overvoltage, overcurrent, surge protection.
- ▶ Output signals HTL or TTL
- ▶ 9-30 or 5 VDC, Single power supply, polarity protection
- ▶ IP 66
- ▶ 2 years warranty

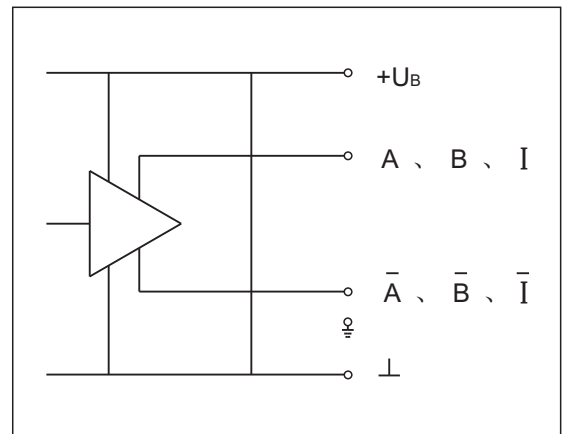
■ *Product application:*

- ▶ Applicable for displacement and velocity measurement of heavy equipments under harsh environment

■ *Electrical Specification*

Cycles per turn	512 600 900 1000 1024 2000 2048 2500 3000 5000
Out frequency	120KHz
Rise time	$\leq 10V/\mu s$
Supply voltage U_B	+9V~+30V or +5V
Current consumption at no-load	$\approx 100mA$
Out voltage ($U_B=24V$)	$U_L \leq 1.5V$; $U_H \geq U_B - 3.5V$
Maximum load current per channel	60mA/average; 200mA/peak
Mark space ratio	1:1 $\pm 20\%$
Square wave displacement	$90^\circ \pm 20\%$

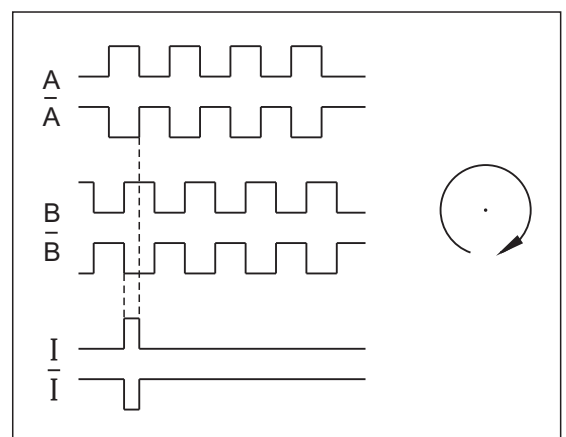
■ *Output Circuit*



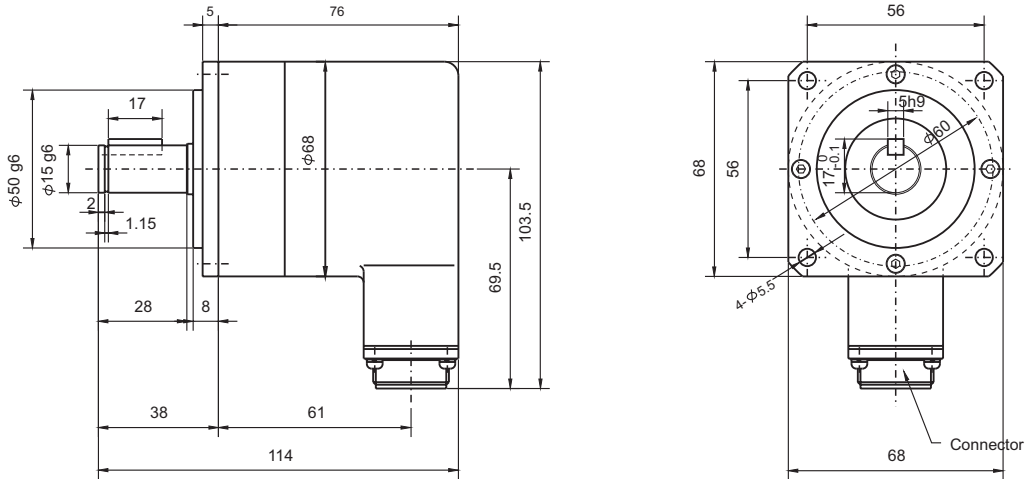
■ *Mechanical Specification*

Solid shaft diameter	$\phi 15mm$ Stainless steel
Moment of inertia	$\approx 90gcm^2$
Speed max	$\leq 6000r/min$
Driving torque	$\approx 0.05N \cdot m$
Maximum shaft load	Axial 50N; radial 50N
Vibration resistance	$\leq 10G/55\sim 2000Hz$
Shock resistance	$\leq 100G/6ms$
Permissible encoder temperature	$-40^\circ C \sim +85^\circ C$
Protection class	IP66
Weight	$\approx 0.8kg$

■ *Output Signals*



■ **Dimensions**

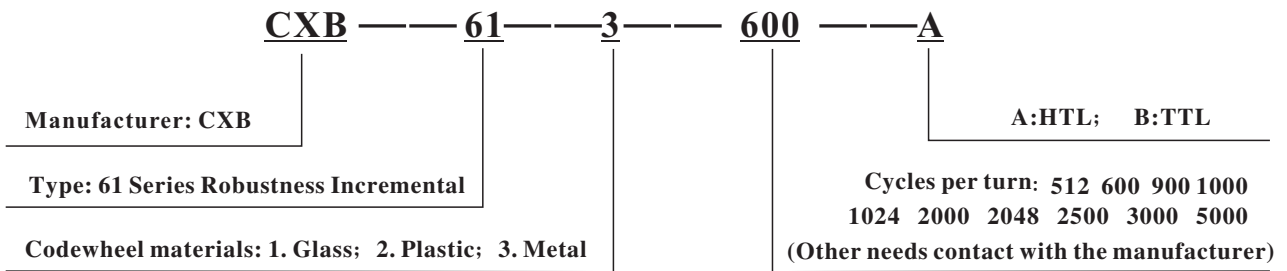


■ **CONNECTION**

针号 Pin	A	B	C	D	E	F	G	H
信号 Signal	A	B	+9~+30 V	---	屏蔽线 SHLD	0V	0V	0V

Remarks: According to the customer demand can increase I, \bar{A} , \bar{B} , \bar{I} signal output.

■ **Ordering Information**



Remarks: Technical modifications reserved.

■ **Guarantee**

2 years warranty within the conditions of Normal use and maintenance.



深圳市英科達光電技術有限公司
Shenzhen ENCODER Optics-Electronics Technology Co., Ltd
Tel: +86-0755-26683042; Fax: +86-0755-26686503
E-mail: support@sz-encoder.com